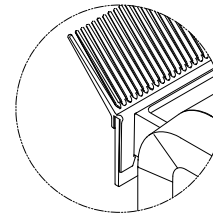
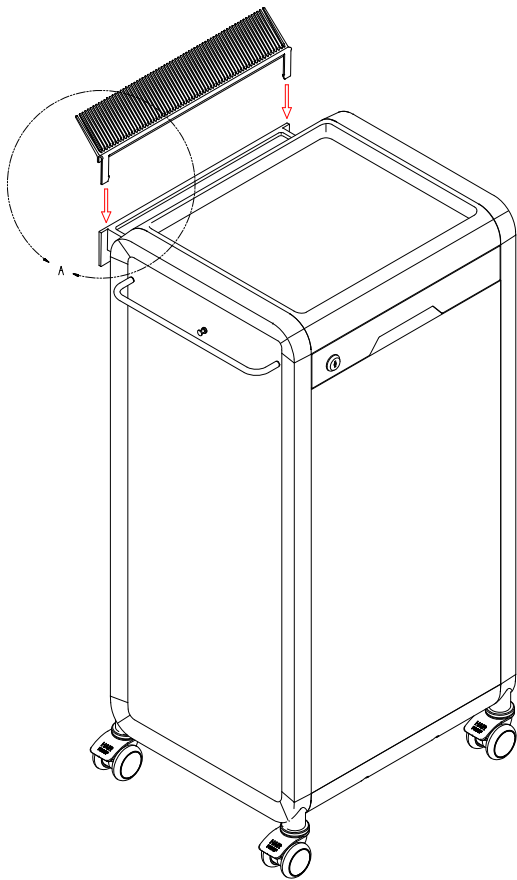


DETAIL A



DETAIL A

